

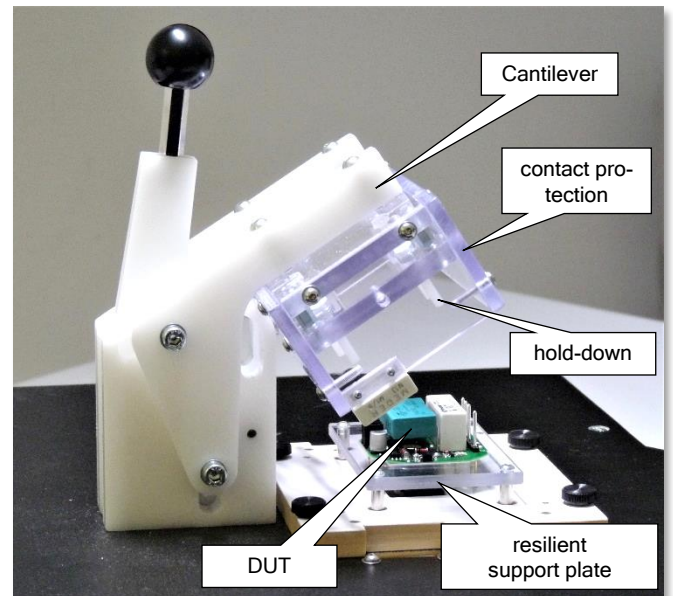
## Features

- Circuit/linear clamping mechanism for fixture solutions
- Down holding of assembled circuit boards
- Contacting with spring contact pins
- Pneumatic drive and interlocking on request
- Special constructions on request

Our combination clamps were designed especially for fixture solutions. The special feature is the combination of a pivoting/circular arc and a vertical movement. A typical application is holding down printed circuit boards when contacting test points with spring contact pins. A carrier plate is mounted on the cantilever of the clamp. When contacting from below hold-down pins are installed in the carrier plate which press on free areas of the circuit board. When contacting from above spring contact pins are built into the carrier plate which meet the test points. Due to the vertical lowering the spring contact pins have no side loads and thus a long service life.

Since the mechanism is self-locking the combination clamp remains in its lower end position even if the spring forces of the test pins act against it. When open the operator has free access to the circuit board holder and can easily insert the DUT.

Carrier plates or hold-down devices are not included in the price of the combination clamps. On request we offer both, individual components and complete test adapters. For construction purposes 3D models are available for download.



Application example:  
Combination clamp as hold-down device  
with contact protection

## KS50 Small version

### Specification

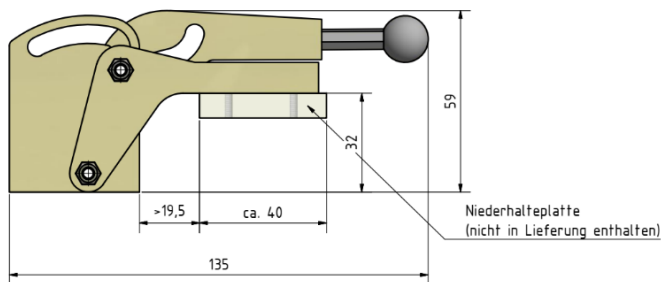
Item no.	416KS001
Dimensions closed	H59 x T135 x B43,5 mm
Clamping force	ca. 50N for max. 25 spring probes
Material	POM (Polyoxymethylen)
Weight	ca. 120g

## KS100 Medium version

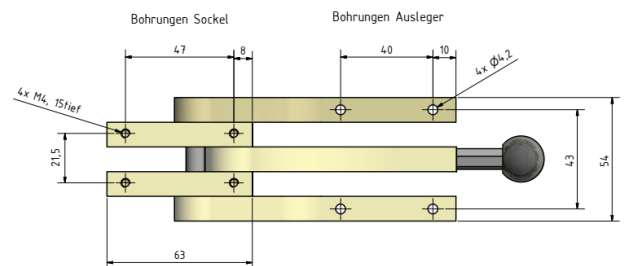
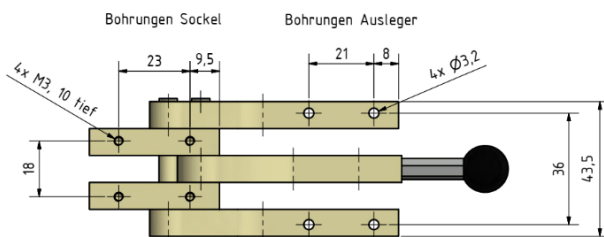
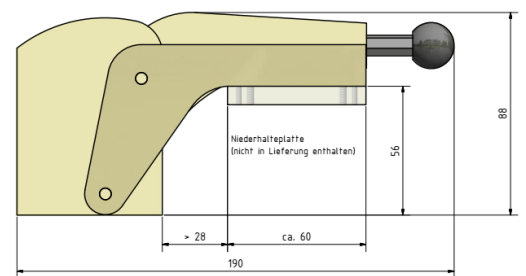
### Specification

Item No.	416KS002
Dimensions closed	H88 x T190 x B54 mm
Clamping force	ca. 100N for max. 50 spring probes
Material	POM (Polyoxymethylen)
Gewicht	ca. 200g

### Abmessungen



### Abmessungen



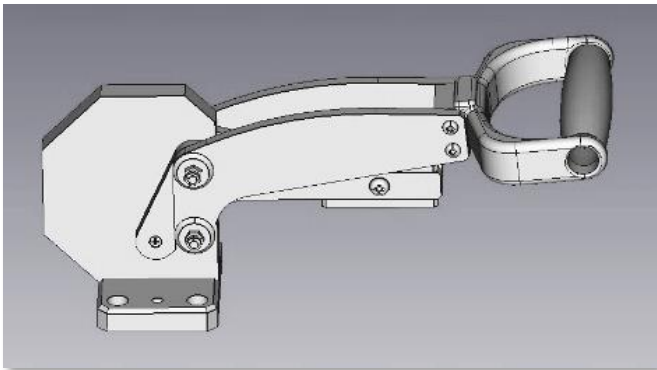
## KS180 Large version

### Specification

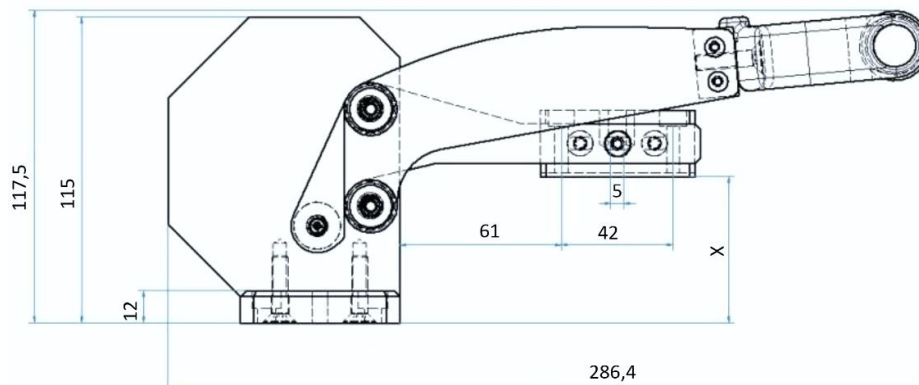
Item no.	416KS003
Dimensions closed	H117,5 x T286,4 x B 116 mm
Clamping force	ca. 180N für max. 100 Federkontaktstifte
Material	Aluminium
Linear stroke	15mm
Weight	ca. 1000g



Application example: contacting of test points from above



Clamping lever closed



X= 55 mm (when closed)

X= 72 mm (Linear stroke before panning)